

ZAP 400-41 Plate axial fan

Item Number: 8297

Variant: 230V 1~ 50Hz

The ZAP range of plate axial fans is based around the Ziehl-Abegg external rotor motor and an aerodynamically designed impeller to provide a very compact, efficient unit. Key features are:-

Diecast aluminium blades with high efficiency aerofoil blade design

Maintenance free, sealed-for-life bearings

Insulation class 'F' and IP54 protection

Operating range of -40°C to 60°C or 70°C

TK thermal protection

100% speed controllable motor

Pressed galvanised steel wall plate incorporating full bellmouth

Corrosion resistant paint in pebble grey RAL7032

Inlet guard

IP54 terminal box

Fitted with motorside guard as standard.

All ZAP fans are suitable for reverse operating conditions with a reduction in performance



Technical parameters

Normal data

Voltage (Nominal)	230	V
Frequency	50	Hz
Phase(s)	1~	
Input power	290	W
Input current	1.45	A
Impeller speed	1,350	r.p.m.
Air flow	max 1.401	m³/s
Capacitance of capacitor	5	µF
Temperature of transported air	max 60	°C
Max temperature of transported air, when speed controlled	60	°C

Sound data

Sound pressure level at 3m (20m² Sabin)	52	dB(A)
---	----	-------

Protection/Classification

Enclosure class, motor	IP54
Insulation class	F

Dimensions and weights

Weight

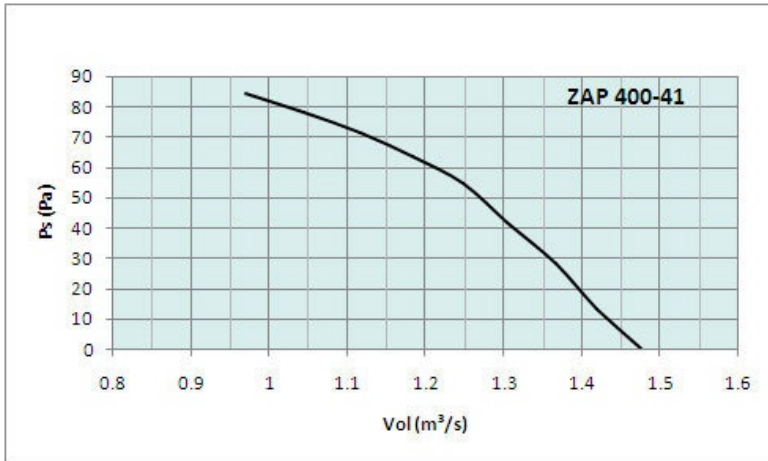
9.4 kg

Others

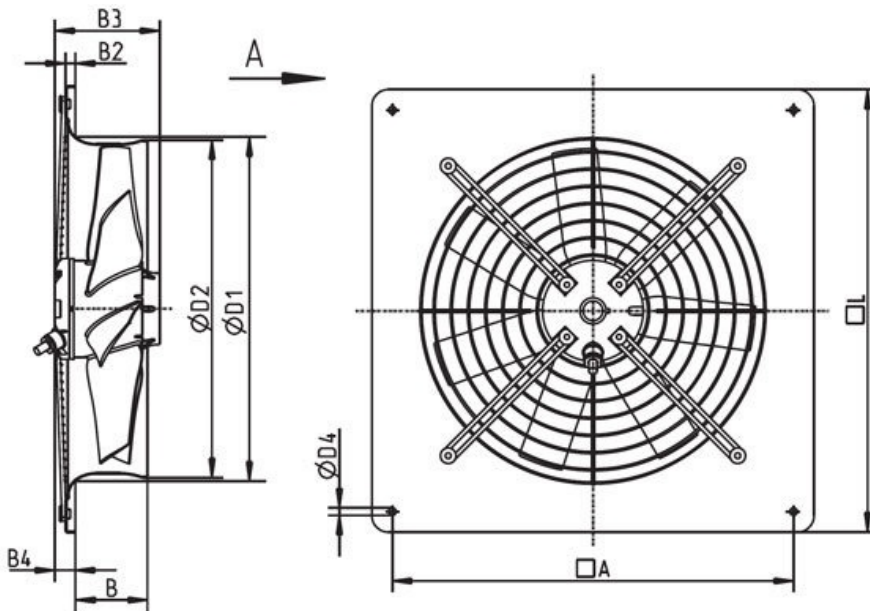
Motor type

AC

Performances



Dimension



ZAP 400-41	B	B2	B3	B4	D1	D2	D4	A	L
	88	12	131	25	420	412	9	490	540

Wiring

104XA

Luftförderrichtung: V
 Direction of airflow: V
 Drehrichtung: Rechtslauf
 Direction of rotation: clockwise

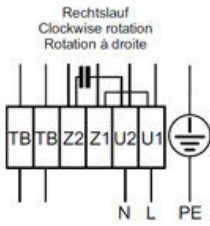
1~Motor mit Kondensator und Thermostatschalter (falls eingebaut).

1~Motor with capacitor and thermostatic switch (if built in).

Moteur monophasé avec condensateur et interrupteur thermostatique (si incorporé).

U1	braun	brown	brun
U2	blau	blue	bleu
Z1	schwarz	black	noir
Z2	orange	orange	orangé
TB	weiß	white	blanc

104XA-02



Anschlusschaltbild im Anschlusskasten aufbewahren.
 Keep wiring diagram in terminal box.
 Conserver le schéma de raccordement dans la boîte à bornes.

104XB

Luftförderrichtung: A
 Direction of airflow: A
 Drehrichtung: Linkslauf
 Direction of rotation: counter clockwise

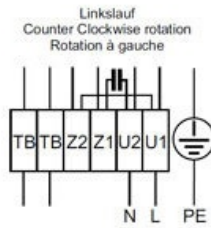
1~Motor mit Kondensator und Thermostatschalter (falls eingebaut).

1~Motor with capacitor and thermostatic switch (if built in).

Moteur monophasé avec condensateur et interrupteur thermostatique (si incorporé).

U1	braun	brown	brun
U2	blau	blue	bleu
Z1	schwarz	black	noir
Z2	orange	orange	orangé
TB	weiß	white	blanc

104XB-02



Anschlusschaltbild im Anschlusskasten aufbewahren.
 Keep wiring diagram in terminal box.
 Conserver le schéma de raccordement dans la boîte à bornes.

Acoustic

Frequency (Hz)	63	125	250	500	1000	2000	4000	8000	16000	dBW Total	dBA Total	dBA @ 3m
Sound Power (dBW)	71	72	67	67	65	65	64	56	49	77	72	52

Accessories

- REE 2 Speed control (5316)
- RAV 400/450 Roof cowl (8467)
- VK-40 Louvre shutter (5643)
- RTRE 1,5 Speed control (5008)
- RAW 400/450 Roof Cowl c/w BG (86511)

Documents

- Operating Instruction axial fans L-BAL-001-GB[1].pdf